


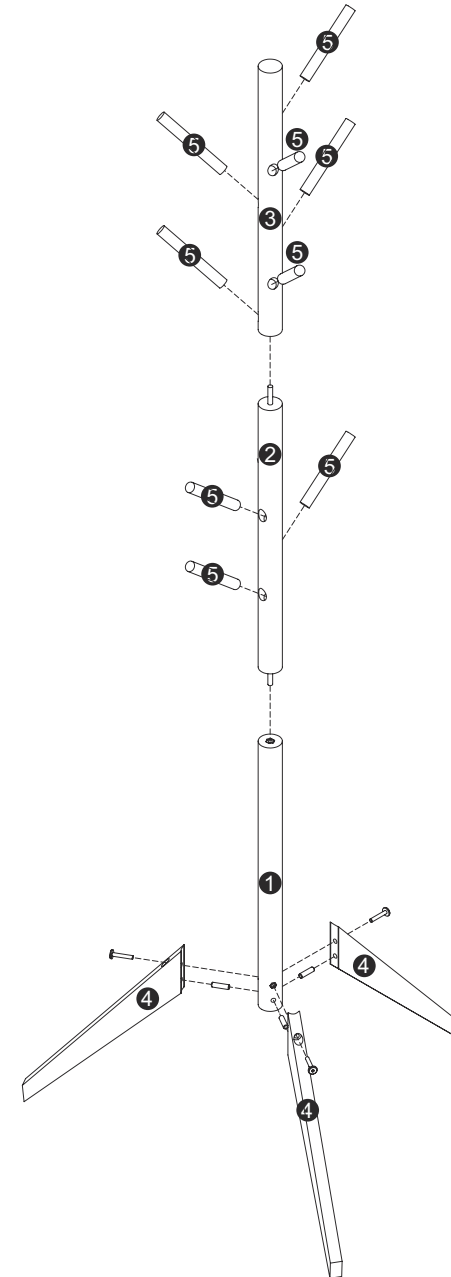


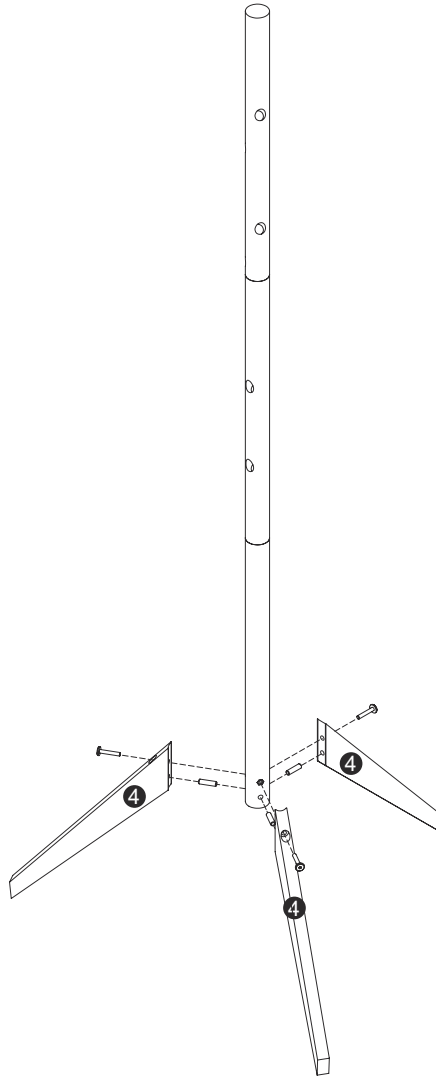
A		1
B	 M6x35	3
C	 $\Phi 8 \times 30$	3






step 1



step 2



A		1
B	 M6x35	3
C	 Φ 8x30	3

step 3

