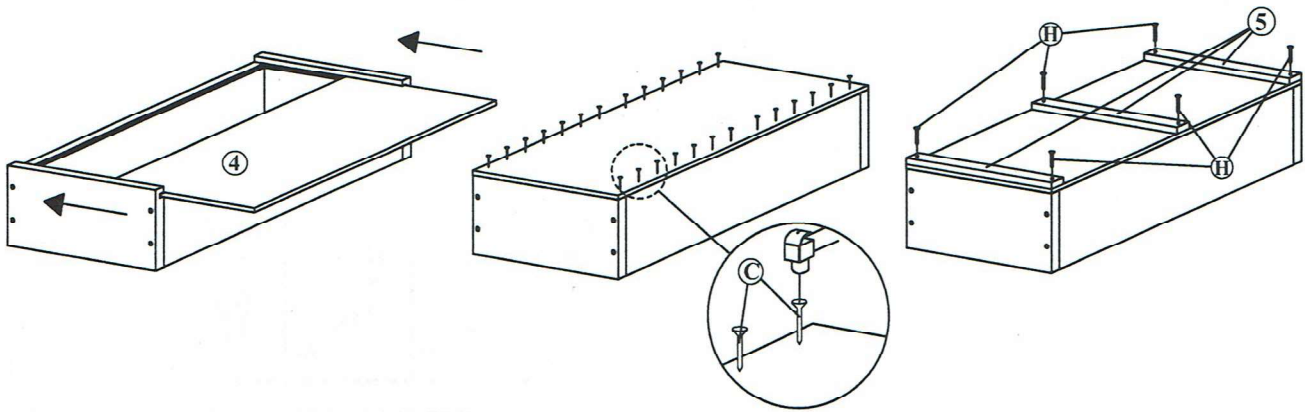


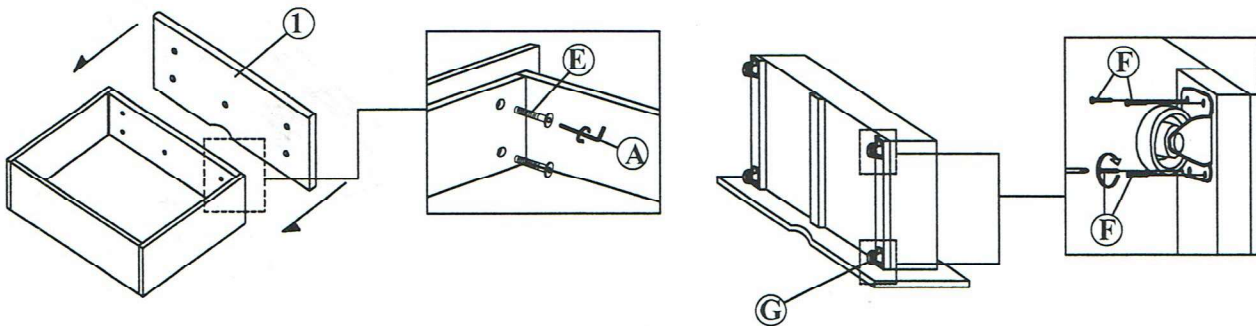
ASSEMBLY INSTRUCTIONS

MODEL : BD209-FS
DRAWER

STEP 3 :



STEP 4 :



STEP 5 : The drawer and side rail can be assemble for both side which is left or right.

COMPLETE VIEW

