



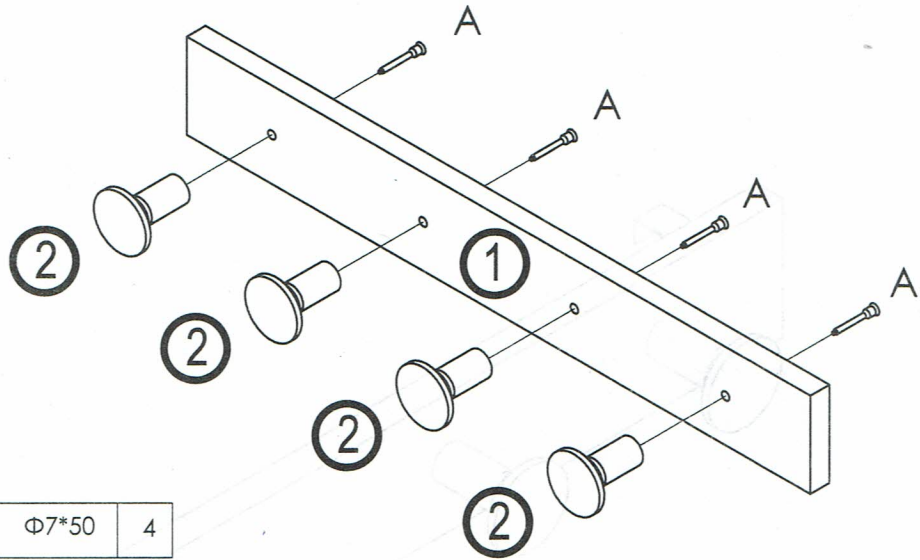



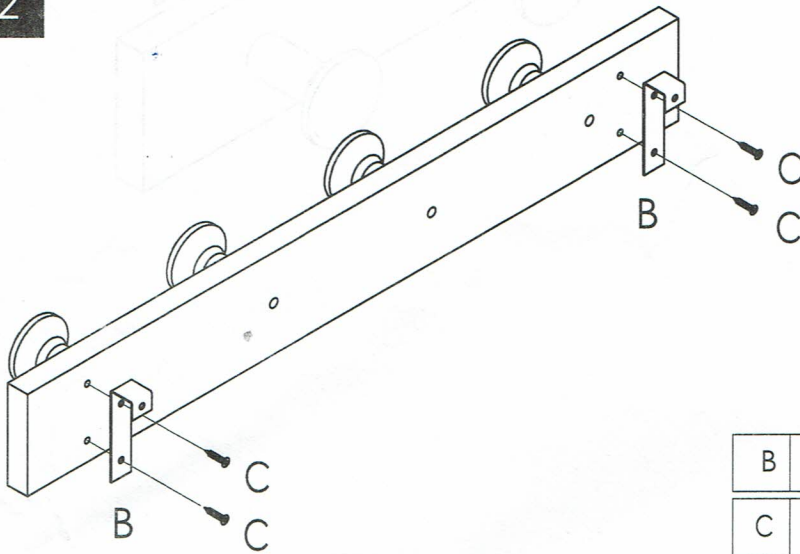
A		Φ7*50	4
B			2
C		3.5*16	6
D		4 mm	1



STEP:1



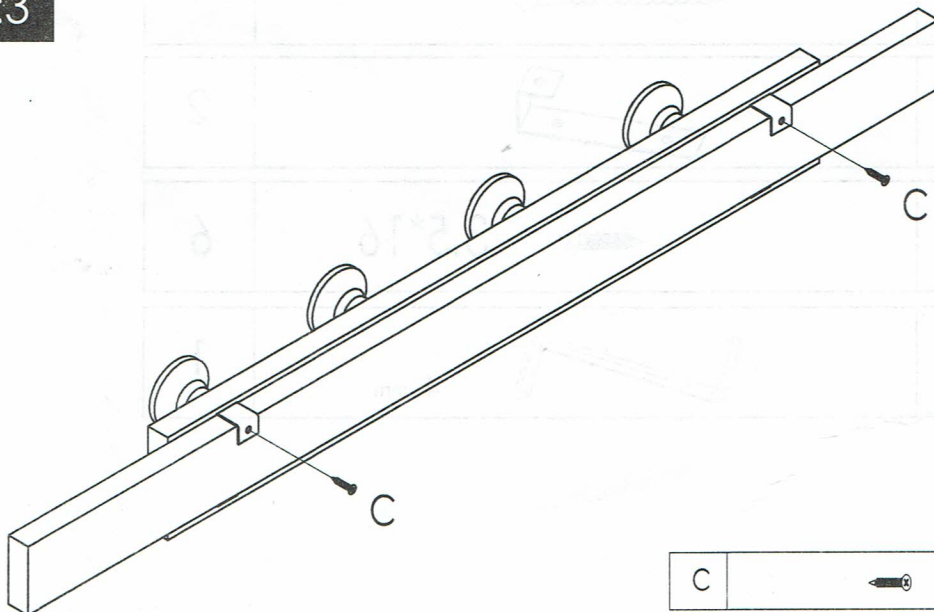
A		Φ7*50	4
---	---	-------	---

STEP:2



B			2
C		3.5*16	4

STEP:3



C		3.5*16	2
---	---	--------	---